



ASDP-22W Differential Pressure Transmitter

ASDP-22W Differential Pressure Transmitter is assembled using an OEM piezoresistive silicon differential pressure sensor filled with oil. The shell is made of stainless steel and has strong corrosion resistance. The two pressure ports are threaded and can be mounted directly on the measuring pipe or connected through the pressure pipe. ASDP-22W series have standard voltage/current output options, which can be easily installed and used. The products are widely used in the measurement and control of differential pressure, liquid level and flow in process control, aviation, aerospace, automotive, medical equipment, HVAC, etc



Features

- 316L stainless steel diaphragm
- Zero and full scale span adjustable externally
- Short circuit protection and reverse polarity protection
- Excellent shock resistance, vibration resistance and electromagnetic compatibility resistance

Applications

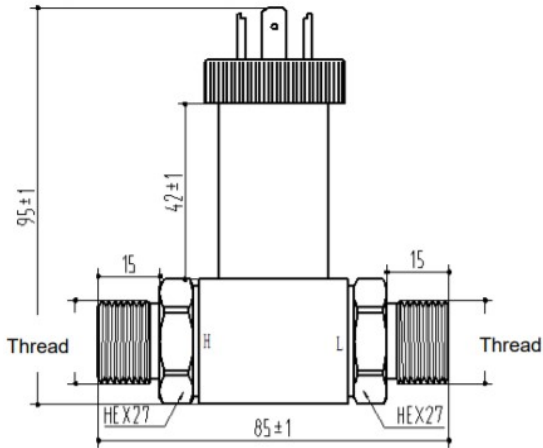
- Equipment support
- Scientific experiment
- Precision instrument
- Water supply and drainage
- Power plant differential pressure
- Flow

Pressure range	
Pressure range	0~10kPa...2.5MPa
Pressure reference	Differential
Static Pressure	20MPa(Max.)
Output signal	
Output	4-20mA(16-36VDC) 1-5V, 0-5V(12-36VDC)
Specification	
Accuracy	±0.5%F.S. (Typical)
Temperature drift	≤ + 1.5% FS(-10 to 70 °C)
Ambient temp.	-10°C - 70°C
Medium temp.	-10°C - 70°C
Storage temp.	-40°C - 120°C
EMC-interference	IEC 61000-6-3
Shock	100g(11ms)
Insulation resistance	≥100MΩ/500VDC
Response time	1ms(Up to 90%FS)
Protection	IP65
Housing material	Wetted Parts: ASTM S31603 (AISI316L) Housing: ASTM S30400 (AISI304)



ACT SENSORS PRIVATE LIMITED

Dimension

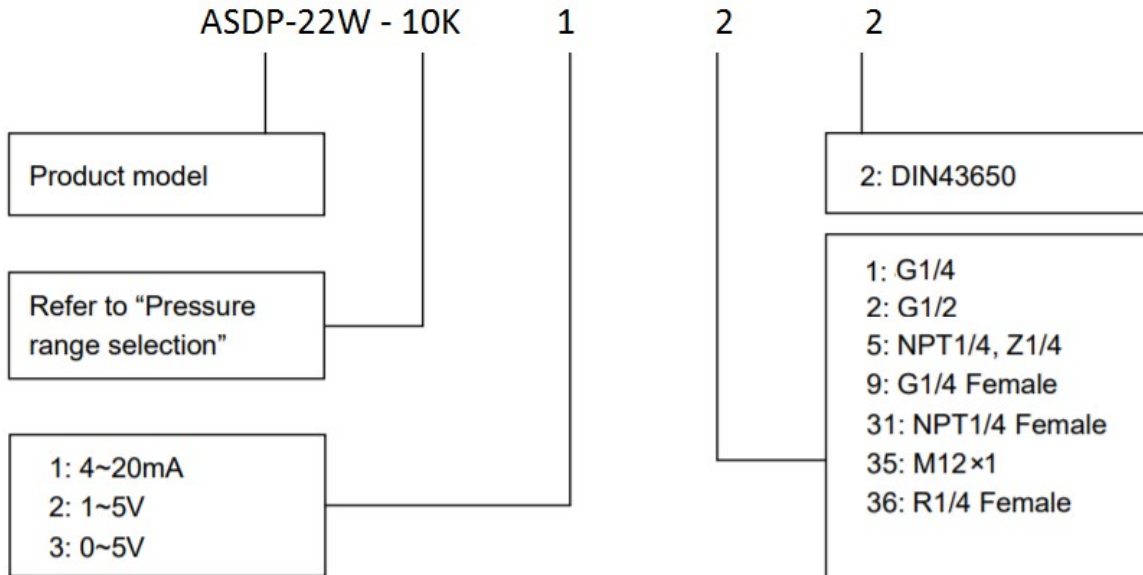


Structure & dimension

Accessories

Name	Appearance
DIN43650	
DIN43650 with cable	
LCD display	

Order Code



Ordering tips

Please note the compatibility of wetted part with the measured medium during the selection.

ACT reserves the right to make changes to any product in this publication without notice. The information provided is believed to be accurate and reliable as of this printing.